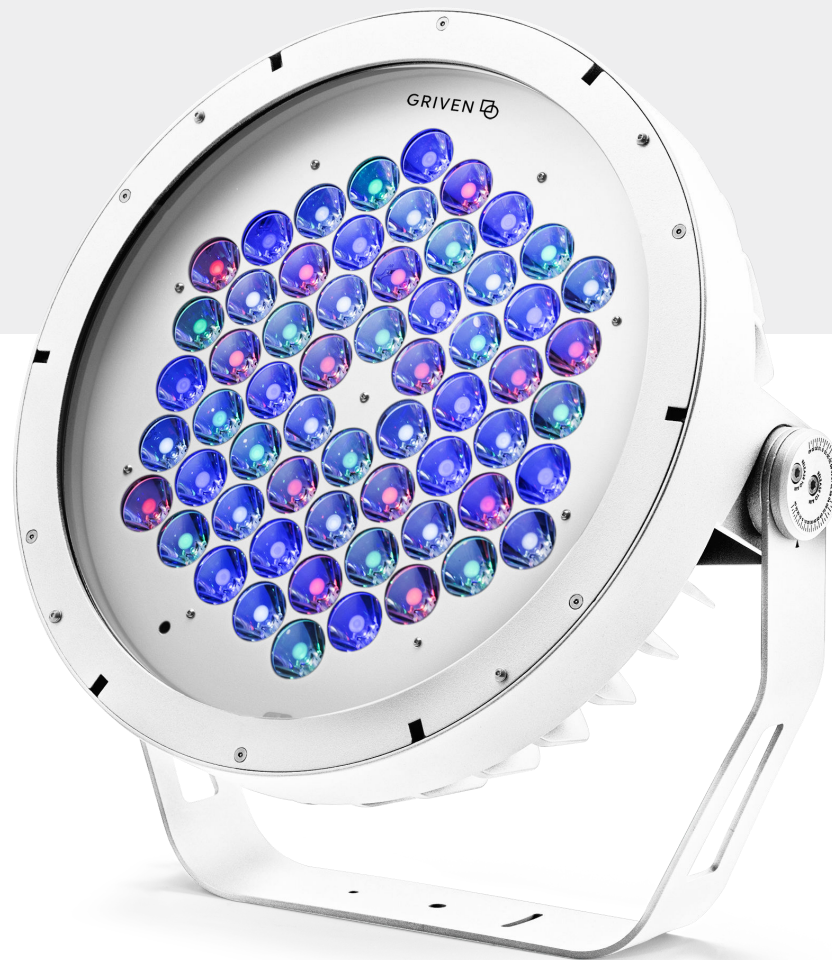




JASPER MK2

FAÇADE LIGHTING

Ideal for spot or flood lighting of building façades or large areas, **JASPER MK2** meets the latest design requirements and aesthetic prerequisites demanding for powerful and efficient lighting solutions capable of delivering high level performances with a reduced power consumption. It now features a restyled chassis and IN and OUT hybrid cables to provide ease of installation, user-friendliness and clean setting-up.

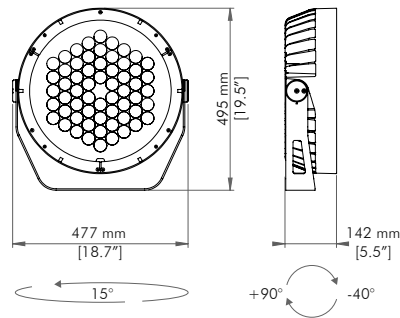


JASPER MK2

GRIVEN 

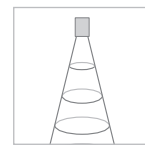
JASPER MK2

GRIVEN 



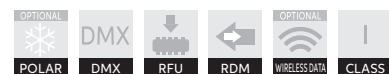
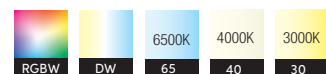
BEAM ANGLE REFERENCE

RGBW		WHITE LIGHT	
ULTRA SPOT	4°	ULTRA SPOT	7°
SPOT	8°	SPOT	12°
NARROW	11°	NARROW	15°
MEDIUM	23°	MEDIUM	25°
WIDE	43°	WIDE	47°
EXTRA WIDE	69°	EXTRA WIDE	61°
ULTRA WIDE	130°	ULTRA WIDE	130°
ELLIPTICAL	11°x41°	ELLIPTICAL	14°x39°
ELLIPTICAL WIDE	22°x39°	ELLIPTICAL WIDE	23°x37°

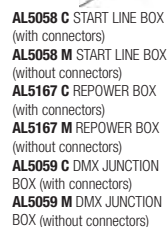


PHOTOMETRIC DETAILS AVAILABLE ON OUR WEBSITE

FEATURES AND OPTIONS



ACCESSORIES



* Only available for version C

CODE

AL5400 JASPER MK2

OPTICS

US Ultra spot
SP Spot
NA Narrow
ME Medium
WI Wide
EW Extra wide
UW Ultra wide
EL Elliptical
WL Elliptical Wide

LED TYPE

RN RGB+W 4000K
DW From 2700K to 6500K
65 Cold White 6500K
40 Natural White 4000K
30 Warm White 3000K

CONTROL SYSTEM

R DMX-RDM

FINISH

W White RAL 9003
G GRIVEN Grey
A Anthracite RAL 7016
B Black RAL 9005

CABLE TYPE

C Hybrid cables with connectors
M Hybrid cables without connectors

OPTIONAL

P Polar Edition
A Anti-saline treatment
G 3G fixing bracket

NOTES

Unless an RDM compatible control is used, JASPER MK2 must always be purchased with AL1321 Infrared Remote Control. More JASPER MK2 units can be controlled with one AL1321. According to the selected configuration, relevant accessories are required to allow a seamless product functioning.

TECHNICAL SPECIFICATIONS

JASPER MK2 is an IP66 powerful floodlight, whose aluminium body hosts 60 high brightness RGBW, Dynamic White, Cold White, Natural White, Warm White or, on request, monochrome power LEDs. Dimensions: 477 mm x 142 mm x 495 mm. Available in DMX, automatic and Master-Slave mode, it also features RFU (Remote firmware update) and RDM (Remote device management) functions. It now features a restyled chassis and IN and OUT hybrid cables to provide ease of installation, user-friendliness and clean setting-up. Unless an RDM compatible control is used, one Infrared Remote Control AL1321 must always be purchased for one or more JASPER MK2 units in order to access DMX addressing, stand-alone operations and DMX channels configurations. Power supply: standard 100÷277V / 50-60Hz. Power consumption: 0.88A @ 230V / 195Wmax. An Electrical Class I appliance, it also features self-resetting fuse protection as well as integrated electronic thermal protection management. The Polar Edition, fitted with an integrated de-icing system with electrically heated glass, is available on request. Operating temperature: -40°C to 50°C (-40°F to 122°F).

DIGITAL CONTROL SYSTEM SPECIFICATIONS AND CONFIGURATIONS AVAILABLE ON OUR WEBSITE



BELGIUM_Cathedral of Our Lady, Antwerp